

**Date:** February 27<sup>th</sup>, 2020

**Time:** 12:00 hrs.

**Subject:** COC COMMUNICATION NO: 1

**Document No:** 3.1

*From:* The clerk of the course

*To:* All competitors / crew members

*Number of pages:* 3 *Attachments:* 0

## **SAFETY EQUIPMENT REMINDER / 2020 REGULATIONS / VALID AS FROM 01.01.2020**

### **ISC Appendix J, Article 253.7 EXTINGUISHERS – EXTINGUISHING SYSTEMS**

The use of the following products is prohibited : BCF, NAF.

#### **7.1 Application**

##### **7.1.1 In rallies :**

Articles 7.2 and 7.3 apply.

Extinguishing systems and Manual extinguishers in compliance with FIA Standard 8865-2015 (Technical List n°52) are recommended.

Extinguishing systems and Manual extinguishers in compliance with FIA Standard 8865-2015 (Technical List n°52) are compulsory for the following cars :

- World Rally Cars homologated as from 01.01.2017 in compliance with homologation extension 400/01 WRC and with Art. 255A of Appendix J.
- World Rally Cars homologated as from 01.01.2015 in compliance with homologation extension 300/01 WRC and with Art. 255A of 2016 Appendix J.
- World Rally Cars homologated as from 01.01.2014 in compliance with homologation extension 200/01 WRC and with Art. 255A of Appendix J.
- World Rally Cars homologated before 31.12.2013 in compliance with homologation extension 100/01 KSR and with its WR extension, as well as with Art. 255A of 2013 Appendix J.
- Super 2000 (Rallies) cars in compliance with Art. 255A of 2013 Appendix J.
- Group Rally2 cars in compliance with Art. 261 of Appendix J.
- Group R-GT cars homologated as from 01.01.2020 in compliance with Art. 256 of Appendix J
- Group R-GT cars in compliance with Art. 256 of 2019 Appendix J.
- Group Rally5, Rally4 and Rally3 cars in compliance with Art. 260 of Appendix J.
- Group R3/R3T cars homologated before 31.12.2019 in compliance with Art. 260/260D of 2019 Appendix J.
- Group R1 and R2 cars homologated before 31.12.2018 in compliance with Art. 260 of Appendix J.

**Technical list n°52** is available on the following link : <http://www.fia.com/regulation/category/761>

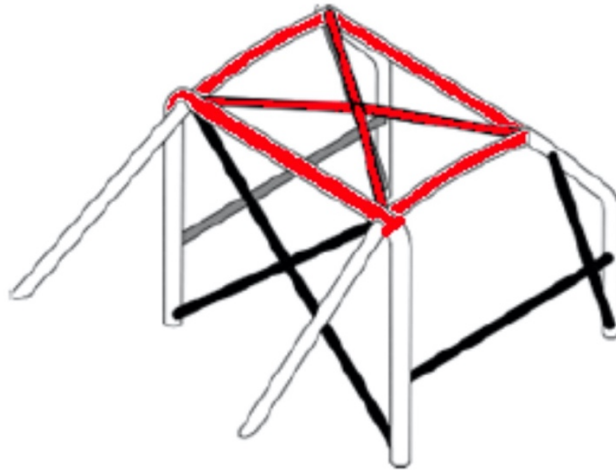
## **ISC Appendix J, Article 253.8.4 PROTECTIVE PADDING**

Where the occupants' bodies could come into contact with the safety cage, flame retardant padding must be provided for protection. All tubes of the cage identified on Drawing 253-68 and all roof reinforcements must be fitted with paddings in compliance with FIA standard 8857-2001 type A (see Technical List n°23).

Each padding must be fixed in such a way that it is not moveable from the tube.

Application: For all categories.

For competitions without co-driver, paddings are compulsory on driver's side only.



## **ISC Appendix J, Article 253.16 SEATS, ANCHORAGE POINTS AND SUPPORTS**

### **Seats**

All the occupants' seats must be homologated by the FIA (8855-1999 or 8862-2009 standards), and not modified.

#### Seats in compliance with 8855-1999 FIA standard

The seat must be used in accordance with the seat manufacturer's instructions and with Technical List n°12.

The limit for use is 5 years from the date of manufacture indicated on the mandatory label.

An extension of 2 further years may be authorised by the manufacturer and must be indicated by an additional label.

If there is a cushion between the homologated seat and the occupant, the maximum thickness of this cushion is 50 mm.

#### Seats in compliance with 8862-2009 FIA standard

The seat must be used in accordance with the seat manufacturer's instructions and with Technical List n°40.

The limit for use is 10 years from the year of manufacture.

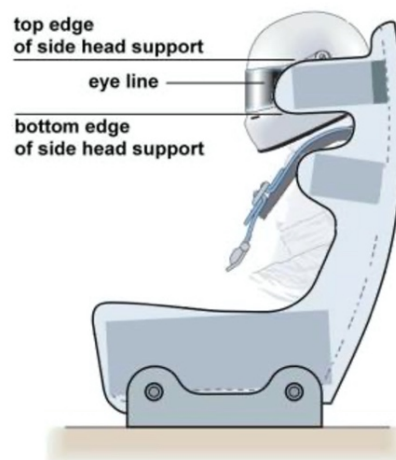
The use of supports homologated with the seat in accordance with the Technical List n°40 is compulsory. For Rallies only until 31.12.2020, seats may be used with supports homologated by the car manufacturers in option variant.

Seating position:

The driver must choose a seat that fits well.

When seated in the normal racing position, the seat must support comfortably at the pelvis, shoulder and head as follows:

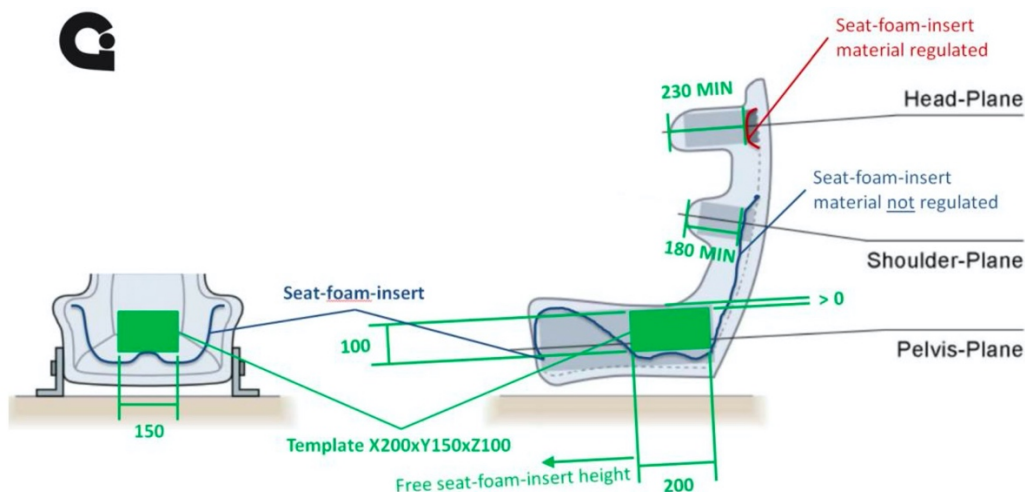
- the eye line must be below the top edge of the side head support and above the bottom edge of the side head support;
- the shoulder must fit within the side shoulder support of the seat;
- the pelvis must be adequately supported by the side pelvis support.



If a foam insert is used between the homologated seat and the driver, minimum lateral support to the driver's head, shoulders and pelvis must be guaranteed as follows :

- 230mm min. at seat-side-head support along the head-plane.
- 180mm min. at seat-side-shoulder support along the shoulder-plane.
- 100mm min. in height at seat-side-pelvis support along the pelvis-plane over a length of 200 mm min.

This requirement must be verified using a parallelepiped template of dimensions X 200 x Y 150 x Z 100 mm.



Copyright@2017 by Global Institute - All rights reserved  
 Drawing taken from "GT\_Seat\_Foam\_Inserts\_Regulation\_Proposal\_for\_8862\_Seats\_v1.4.pptx" 2016.10.20

**ISC Appendix J, Article 251.2.1.8 FIA TECHNICAL PASSPORT**

For FIA championships, the FIA technical passport of WRC, S2000-Rally, Rally2 and R-GT cars must be presented at scrutineering for the competition. In addition, the markings linked to the technical passport must not be removed under any circumstances.

Jaime del Palacio  
 Clerk of the course